

SALISBURY ANIMAL CAUSED OUTAGE PROTECTION



Be smart. Be proactive.

Animal caused outages happen daily.

How are you protecting yourself?

Why should I use outage protection?

The cost of animal caused outages to the utilities is unmeasurable, but preventable. Animals cause power outages daily, creating time lost to utilities. Salisbury offers an easy solution to this expensive problem. **Can you afford to take the risk of an outage?**

Animals cannot be stopped, but these products can prevent them from causing costly outages. It's only a matter of time before an animal caused outage happens. **Are you ready?**



The SALISBURY Outage Protection Product Line

Salisbury's Outage Protection Product Line is the most extensive in the industry. No other product line of this type, comes close. Over the last 10 years these products have been extensively field and lab tested to create the best animal caused outage protection you can get.

All of these products are completely made from material that is **resistant to the effects of UV, ozone and fire** (unless otherwise noted). The lab tested material is also highly crash resistant and resistant to magnesium chloride, to withstand possible ocean spray. This material was specifically developed for this product line. Designed to withstand the test of time, sun and weather, to keep you protected longer. **This material has a dielectric strength exceeding 72kV, unless otherwise noted. The highest dielectric rating in the industry.**

Designed for linemen with linemen. These lightweight products are easy to use and install. Most of the products can be installed or uninstalled with the use of shot gun sticks.

Salisbury's Outage Protection Line of products is continuously growing. We are committed to building a line of products that protects every point vulnerable to animal caused outages.

How do the products work?

Salisbury's Outage Protection Products either isolate the animal from the potential outage risk or insulate the apparatus at risk. All of the products are precisely designed to fit snug without compromising the condition or effectiveness of the apparatus being protected.

How do I create a proper animal/avian protection plan?

There are two ways of mitigating an animal caused outage; insulate or isolate the problem area. Salisbury's product line includes products that address both these solutions. This catalog provides the most complete and extensive line of products that help fulfill the protection plan needed by the utility.

A proper animal caused outage plan identifies the apparatus that should be insulated or isolated in your particular area. Use this catalog to determine the products required for your specific protection plan. In addition, a proper program also includes the use of jumper or stinger cover (page 10).

Include Salisbury Outage Protection Products in an ongoing line maintenance program, to keep animal caused outages to a minimum.

Going Above and Beyond

The face of Animal Caused Outage Protection will be changing over the next few years. Are you ready? Salisbury is.

New standards are on their way. With Salisbury's complete line of Animal Caused Outage Protection you're covered for today and tomorrow's standards.

Federal Avian Protection Initiative

The Federal Avian Protection Initiative is an alliance between utility companies, federal agencies and conservation groups to protect wildlife from power lines. Salisbury's Outage Protection line helps meet the current Suggested Practices Guide and prevent unnecessary animal caused outages.

U.S. Fish and Wildlife Service Memorandums of Understanding (MOU)

Raptors and other migratory birds are protected by several Federal laws, including the Migratory Bird Treaty Act (MBTA), the Bald and Golden Eagle Protection Act, and the Endangered Species Act. The MBTA is a strict liability law which means that the U.S. Fish and Wildlife Service (USFWS) only has to show that the birds were killed by the activities of an individual or business. It does not require the USFWS to prove that there was intent to kill or take a bird, only that a bird was killed or taken. The only native migratory birds not protected by MBTA include the English sparrow, the starling and the pigeon. In order to further its goal of eliminating/minimizing bird mortality, the USFWS is promoting and developing a Memorandum of Understanding (MOU) that will partner the USFWS **and utilities** into protecting migratory birds.

For more information visit www.usda.gov/rus/electric/engineering/2002/mou.htm and www.fws.gov.



SALISBURY Animal Caused Outage Protection

Protect against costly outages.

Salisbury, the leader in quality protective cover-up equipment, provides the system that works to protect valuable equipment and substantially reduce or eliminate outages.

ISO 9001:2000 Registered



W.H. SALISBURY & Co.

7520 North Long Avenue
 Skokie IL 60077-3226 USA
 toll free ph. 877.406.4501
 toll free fax 866.824.4922
 847.679.6700

whsalisbury.com

CONTENTS

- CUTOUT SWITCH COVERS 5
- TRANSFORMER BUSHING COVERS..... 6
- SILICONE BUSHING COVERS..... 7
- ARRESTER COVERS 8
- ARRESTER COVERS FOR FLIPPER FUSE & SPECIALTY 9
- INSTANT INSULATION & STINGER COVERS..... 10
- SHORT LINE/INSULATOR PROTECTORS 11
- LONG LINE/INSULATOR PROTECTORS 12
- BIRDGUARD SYSTEM - SINGLE INSULATOR
- LONG LINE/INSULATOR PROTECTORS 13
- DOUBLE BIRDGUARD SYSTEM - DOUBLE INSULATOR
- LINE/INSULATOR PROTECTORS 14
- ANGLED DOUBLE BIRDGUARD SYSTEM & SPECIALTY
- LINE/INSULATOR PROTECTORS 15
- HORIZONTAL BIRDGUARD SYSTEM
- CONDUCTOR SIZING INFORMATION 16
- TRIANGLE ANTI-PERCH 17
- ANTI-PERCH 18
- WOOD AND STEEL POLE CAPS..... 19
- ANTI-NESTING DEVICES 20
- BIRD FLAPPER 21
- SPECIALTY ITEMS 22
- FIBER OPTIC PROTECTION PRODUCTS 23
- CROSS REFERENCE CHARTS 24
- INSULATOR SELECTION CHART FOR BIRDGUARD 28

All of these products are made from material that is resistant to the effects of UV, ozone and fire with a dielectric strength exceeding 72kV, unless noted otherwise.

The covers have been accepted by Rural Utilities Service (RUS).

Made in U.S.A. (unless noted otherwise)

CAUTION: Outage protection is not to be used as Personal Protective Equipment (PPE).

CAUTION: These items not intended to protect the worker from electrical hazards.

CUTOUT SWITCH COVERS

An ongoing concern faced by utilities is the large amount of metal exposed on cutout switches, which can easily lead to animal caused outages. **Cutout Switch Covers** are designed to fit over the connection and exposed upper metal brackets on the cutouts, without interfering with the normal operation of the unit. These covers are available for a variety of different switches.

Salisbury recommends the use of Stinger Covers (available on page 10), when installing these devices for maximum outage protection.

Available in brown or gray colors. Contact your local Salisbury Representative when ordering.



Cat No.	gray	brown	Description
21899			Fused Cutout Switch Cover for ABB-Chance-Cooper switches
21900			Fused Cutout Switch Cover - for S&C switches
27058			Fused Cutout Switch Cover - for Lorenzetti switches
21905		27113	Loadbreak Switch Cover
27004			Fused Cutout Switch Cover for Maurizo
27022			Fused Cutout Switch Cover for S & C (R9) 200Amp
27028			Fusible Switch Cover, S&C (R9) 100Amp
27031			Fused Cutout Switch Cover for Kearny HX
27036			Fused Cutout Switch Cover for old ABB/NCX
27044			Fused Cutout Switch Cover for PLH
27085			Switch Cover for Kearny HX, Long

TRANSFORMER BUSHING COVERS

Transformer bushing connections continue to be a source of animal caused outages. The **Transformer Bushing Covers** are designed to snap over the first “shed” or “skirt” of the bushing, insuring proper installation and preventing the cover from “walking” up the jumper.

In addition to the use of the products shown here, Salisbury recommends the use of Stinger Covers (available on page 10), when installing these devices for maximum outage protection.

Available in brown or gray colors. Contact your local Salisbury Representative when ordering.



Cat No.		Description
gray	brown	
21901	27103	Transformer Bushing Cover
27001		Transformer Bushing Cover, w/ sg ears
27007		Transformer Bushing Cover, Smaller
27093		Transformer Bushing Cover, Larger
27015		Transformer Bushing Cover for CSP transformers
27020		Transformer Bushing Cover, w/ sg ears, for CSP transformers
27064		Transformer Bushing Cover, 15kV Recloser
27060		Transformer Bushing Cover, can use in Substation Switch Power Switches

SILICONE BUSHING COVERS

Standard Salisbury Bushing Covers and Salisbury Tri-Port Bushing Covers are made from Ozone and UV resistant *silicone* rubber, maximizing the outdoor durability and tracking resistance. **These covers have been accepted by Rural Utilities Service (RUS).**

Bushing Covers protect against wildlife contacts between energized equipment and ground by insulating exposed energized bushing parts.

Standard and Tri-Port Bushing Covers interlock with the top weathershed of the bushing and are securely fastened by inserting lock buttons (provided). The **21116TC, Standard Bushing Cover**, includes the **21644 Tube Closure**. The 21644 Tube Closure provides an easier and quicker way to securely close the standard bushing cover.

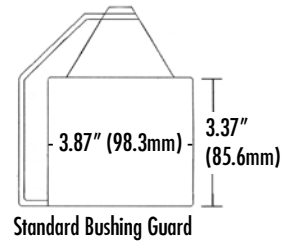
Bushing Covers can be installed without disconnecting equipment using rubber insulating gloves. Covering a small area of the lead wire, the opening can be trimmed to accommodate larger wires or 5/8" and 3/4" Salisbury Stinger Covers.

Cone Bushing Covers

For complete 360 degree coverage, the BC512 is the right choice. Complete with upper and lower trim rings for a custom fit size and internal ribs for added air flow and water drainage. Made from Ozone and UV resistant *silicone* rubber, the BC512 permanently protects bushings from all sources of potential outages. Installation requires de-energizing equipment.



21116 - Standard



Standard Bushing Guard



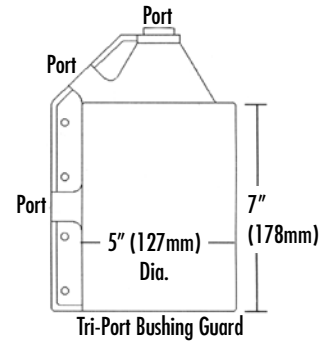
21644



21116 TC - Standard



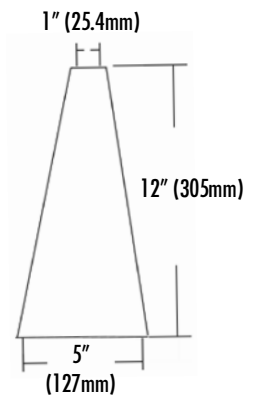
21317 - Tri-Port



Tri-Port Bushing Guard



BC512



BUSHING COVERS

Cat. No.	Description	Dimensions in. (mm)	Quantity Ctn.	Flashover Test Voltage
21116	Cover Only	- see figure above -	24 pcs.	16 kV
21116TC	Cover w/ 21644	- see figure above -	24 pcs.	16 kV
21644	Tube Closure	n/a	24 pcs.	n/a
21183	Cover Kit w/Stinger Cover*	.375 x 18 (9.5 x 457)	24pcs.	n/a
BC512	Cone Bushing Cover	12H x 5 W (305 H x 127 W)	1	n/a

TRI-PORT BUSHING COVERS

21317	Cover Only	- see figure above -	24 pcs.	16 kV
24140	Cover Kit w/ Stinger Cover*	3/8 x 18 (9.5 x 457)	24 pcs.	n/a

* See page 10 for more Stinger Covers

ARRESTER COVERS

Recent studies show over 60% of animal caused outages occur on poles with equipment such as cutouts, transformers, reclosers, and surge arresters mounted on the pole. The **Surge Arrester Covers** are designed to prevent these costly outages. Surge Arrester Covers are designed to snap over the first “shed” or “skirt” of the arrester, as well as fit down snugly over the wire.

Spark Gap type arresters can be retrofitted using a **QC Air-Gap Arrester Cover** found on page 9.

In addition to the use of the products shown here, Salisbury recommends the use of Stinger Covers (available on page 10), when installing these devices for maximum outage protection.



Cat No.		Description
gray	brown	
21902	27114	Polymer Arrester Cover
27056		Polymer Riser Arrester Cover, 18kV
27094		Polymer Arrester Cover for PDV-65
21903		Ceramic Arrester Cover
27057		Arrester Cover for Varistar™
27105		Arrester Cover for Vari-Gap™ 10kV
27011		Double Barrel, Polymer Arrester Cover
27030		Double Barrel, Ceramic Arrester Cover
27002		Arrester Bolt Cover

ARRESTER COVERS FOR FLIPPER FUSE AND SPECIALTY ARRESTERS

The attachment accessory for the “flipper fuse” leaves an opportunity for costly outages. These specially designed cover fits various types of polymer and ceramic arresters. The **Arrester/Flipper Fuse Cover** protect the exposed metal of the “flipper fuse”, as well as the nut attachment/bolt, without interfering with the installation and operation of the fuse.

In addition to the use of the products shown here, Salisbury recommends the use of Stinger Covers (available on page 10), when installing these devices for maximum outage protection.



Cat No.	Description
21904	Polymer Arrester Cover for Flipper Fuse
27003	Polymer Arrester Cover for Flipper Fuse
27006	Ceramic Arrester Cover for Flipper Fuse
27024	Ceramic Arrester Cover for Flipper Fuse
21908	Polymer Arrester Cover for use with Primary Tap, w/ clip
27043	Arrester Cover for use with Primary Tap Cover, w/o clip
27088	Polymer Arrester Cover, Primary Tap Cover
27091	QC Air- Gap Arrester Cover
27009	Polymer Arrester Cover for Flipper Fuse for Joslyn ZHP

INSTANT INSULATION & STINGER COVERS

Instant Insulation may be installed as permanent cover to protect against outages caused by weather, trees and animals. Instant Insulation resists ozone and ultraviolet deterioration while remaining flexible even at sub-zero conditions.

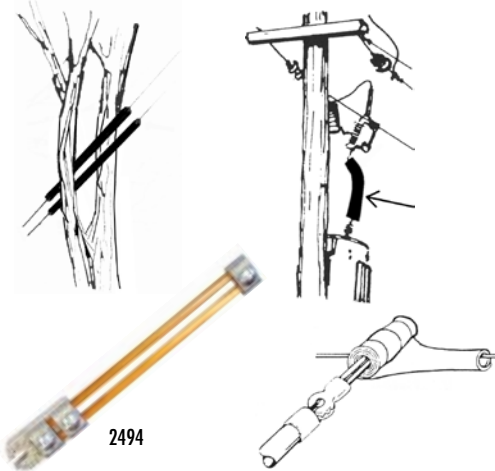
Instant Insulation is made of orange or gray SALCOR® elastomer. Instant Insulation is sold in three diameters, each 12 feet in length. Each include six nylon UV resistant bar-lock cable ties to secure it to the conductor.

Instant Insulation can be installed using the **2494 Applicator**. To install, insert one end of the Instant Insulation into the applicator prongs, then roll and coil the insulation as shown. Secure the coil end with tape, cable ties, or rubber bands. To install, release the secured end and the Instant Insulation will unroll and enclose the conductor.

Stinger Covers protect against phase to phase and phase to ground wildlife contacts. **These covers have been accepted by Rural Utilities Service (RUS).**

The stinger cover can be installed without disconnecting the lead wire from the bushing. Available in three diameters, it is easily cut in the field to the needed length.

Stinger covers are track resistant and made from Ozone and UV resistant SALCOR® elastomer in a gray color. The covers are proven to provide years of reliable service either independently or when used with bushing covers.



INSTANT INSULATION - 12' / 3.6M LONG

Cat No.	Dimensions		
	gray	orange	
1127	1128	.75 I.D.	19 I.D.
1129	1130	1.00 I.D.	25 I.D.
1131	1132	1.25 I.D.	32 I.D.
2494	Universal Hot Stick Applicator		

STINGER COVERS

Cat. No.	I.D. in. (mm)	Length / Section ft. (m)	Quantity / Ctn.	Flashover Test Voltage kV
38-2SC	3/8 (9.5)	2 (.61)	25 pcs.	13
38-50SC	3/8 (9.5)	50 (15.3)	1 coil	13
38-12SC	3/8 (9.5)	12 (3.7)	4 pcs.	13
38-18SC	3/8 (9.5)	18" (457mm)	50 pcs.	13
38-100SC	3/8 (9.5)	100 (30.5)	1 coil	13
58-12SC	5/8 (15.9)	12 (3.7) coil	4 pcs.	18
58-50SC	5/8 (15.9)	50 (15.3) coil	1 pc.	18
58-100SC	5/8 (15.9)	100 (30.5) coil	1 pc.	18
34-12SC	3/4 (25.4)	12 (3.7) coil	4 pcs.	20.5
34-25SC	3/4 (25.4)	25 (7.6) coil	2 pc.	20.5

SHORT LINE/INSULATOR PROTECTORS



The **Short Line/Insulator Protector** is designed to protect the insulator material from dirt and animal debris that can cause an outage. Insulators near animal feedlots and stockyards can be a problem for utilities. Crews often have to spend valuable time cleaning insulators to try to prevent these costly outages.

The Short Line/Insulator Protectors are an easy to install solution by providing a protective cover from bird excrement and debris building up on the insulator and tie.

This system is available to fit both pin and post type insulators and designed to fit a variety of ANSI class insulators and conductors. The chart below can assist in selecting the proper fit for secure application. Please reference the Conductor Sizing Information on page 16 for fit adjustments.

Full ANSI Class fit chart available. Please contact your local Salisbury representative for the most current chart or check page 28.



Cat No.	Fits Insulator ANSI Class	Description
Short Line/Insulator Protectors		
27012	55-2, 3, 4, 57-1, 1L, 1S	Snap Fit, C Neck
27017	55-5, 6, 56-1, 57-2, 2L, 2S, 3, 3L, 3S, 4, 5, 5L, 5S, 11, 12, 13, 14, 15, 16	Snap Fit, F Neck
27035	55-8, 56-2, 3, 4	Snap Fit, J/K Neck
Dual Purpose		
27005	55-5, 6, 56-1, 57-2, 2L, 2S, 3, 3L, 3S, 4, 5, 5L, 5S, 11, 12, 13, 14, 15, 16	Snap Fit, F Neck

LONG LINE/INSULATOR PROTECTORS

BIRDGUARD SYSTEM - SINGLE INSULATOR

A three phase single crossarm structure with a lowered neutral is another frequent perch. Utilizing the **Birdguard System** is an effective way of preventing avian caused outages in such a location. Using the three piece Birdguard System, (center section and two expandable arm sections) protects the center phase conductor, therefore increasing the spacing between the energized, uninsulated conductors to 7 feet.



This system is available for both pin and post type insulators and designed to fit a variety of ANSI class insulators. The chart below can assist in selecting the proper cover for your application. Otherwise, a full ANSI Class fit chart is available. Please contact your local Salisbury representative for the most current chart or check page 28.



The covers have been designed to snap over the insulator and conductor while energized. The center section of the Birdguard System has an eye on the top for application with a shotgun stick. Three detents for on-site conductor sizing allow the lineman to hacksaw cut the arm for an exact fit (Please reference the Conductor Sizing Information on page 16). A two-man crew can install the Birdguard quickly once fully assembled.



27016



21910



21909

Cat No.	Fits Insulator ANSI Class	Description
Birdguard System - Single Insulator		
21909	55-5; 55-6; 56-1, 2, 3, 4, 5; 57-12, 13, 14, 15	Snap Fit, F Neck
21910	55-2, 3, 4; 57-1, 11	Snap Fit, C Neck
27040	55-8, 56-2, 3, 4	Snap Fit, J/K Neck
Birdguard System -Extension Arm		
27016	Can be used with any Line/Insulator Protector System	

LONG LINE/INSULATOR PROTECTORS

DOUBLE BIRDGUARD SYSTEM - DOUBLE INSULATOR

Like the traditional Birdguard System, the **Double Birdguard System** (otherwise known as DADG, double arm, double glass) helps stop avian caused outages while covering two insulators. The Double Birdguard System protects two of the three energized conductors on a typical three phase, four wire crossarm structure. Thus increasing the space between the energized, uninsulated conductors to 6' 3".



This system is available for both pin and post type insulators and designed to fit a variety of ANSI class insulators. The chart below can assist in selecting the proper cover for your application. Otherwise, a full ANSI Class fit chart is available. Please contact your local Salisbury representative for the most current chart or check page 28.

The covers have been designed to snap over the insulator and conductor while energized. The center section of the Double Birdguard System has an eye on the top for application with a shotgun stick. Three detents for on-site conductor sizing allow the lineman to hacksaw cut the arm for an exact fit (Please reference the Conductor Sizing Information on page 16). A two-man crew can install the Double Birdguard quickly once fully assembled.



27029

Cat No.	Fits Insulator ANSI Class	Description
Double Birdguard System - Double Insulator		
27029	55-5, 6, 56-1, 57-2, 2L, 2S, 3, 3L, 3S, 4, 5, 5L, 5S, 12, 13, 14, 15, 16	Snap Fit, F Neck
27041	55-2, 3, 4, 57-11	Snap Fit, C Neck
27053	55-8, 56-2, 3, 4	Snap Fit, J/K Neck

LINE/INSULATOR PROTECTORS

ANGLED DOUBLE BIRDGUARD SYSTEM & SPECIALTY - DOUBLE INSULATOR

These **Angled Double Birdguard Systems** are intended to cover two insulators like the traditional Double Birdguard Systems, but have angles built into the center section for specialty applications. The Double Birdguard System protects two of the three energized conductors on a typical three phase, four wire crossarm structure. Thus increasing the space between the energized, uninsulated conductors to 6' 3".

This system is available for both pin and post type insulators and designed to fit a variety of ANSI class insulators. The chart below can assist in selecting the proper cover for your application. Otherwise, a full ANSI Class fit chart is available. Please contact your local Salisbury representative for the most current chart or check page 28.

The covers have been designed to snap over the insulator and conductor while energized. The center section of the Double Birdguard System has an eye on the top for application with a shotgun stick. Three detents for on-site conductor sizing allow the lineman to hacksaw cut the arm for an exact fit (Please reference the Conductor Sizing Information on page 16). A two-man crew can install the Double Birdguard quickly once fully assembled.



27070

Salisbury also offers the 27059 for **Short Line Double Insulator** cover applications. The 27050 is a specialty double insulator cover that offers extended coverage, longer than the standard Double Birdguard Systems. Order this part with two 27021 arms for a complete three piece Birdguard System.



27059

Cat No.	Fits Insulator ANSI Class	Description
Double Birdguard System - Double Insulator - Angled 7 Degrees		
27051	55-2, 3, 4:57-1, 11	Snap Fit, C Neck
Double Birdguard System - Double Insulator - Angled 15 Degrees		
27070	55-5, 6, 56-1, 57-2, 2L, 2S, 3, 3L, 3S, 4, 5, 5L, 5S, 12, 13, 14, 15, 16	Snap Fit, F Neck
27086	55-2, 3, 4, 57-11	Snap Fit, C Neck
Short Line/Insulator Protector - Double Insulator		
27059	55-5, 6, 56-1, 57-2, 2L, 2S, 3, 3L, 3S, 4, 5, 5L, 5S, 12, 13, 14, 15, 16	Added Range Taking Detail
Extended - Double Insulator, Center Section Only		
27050	55-5, 6, 56-1, 57-2, 2L, 2S, 3, 3L, 3S, 4, 5, 5L, 5S, 12, 13, 14, 15, 16	Can be used w/ (2) 27021 parts (arms) for increased protection

LINE/INSULATOR PROTECTORS

HORIZONTAL BIRDCUARD SYSTEM

The **Horizontal Birdguard System** is designed to be used when the conductors are less than 5' from the pole, or have less than 5' separation between conductors. The Horizontal Birdguard offers a total of 120" of protection.

Available in brown or gray colors. Contact your local Salisbury Representative when ordering.

This system is designed to fit a variety of ANSI class insulators. The chart below can assist in selecting the proper cover for your application. Otherwise, a full ANSI Class fit chart is available. Please contact your local Salisbury representative for the most current chart or check page 28.

The covers have been designed to snap over the insulator and conductor while energized. The center section of the Double Birdguard System has an eye on the top for application with a shotgun stick. Three detents for on-site conductor sizing allow the lineman to hacksaw cut the arm for an exact fit (Please reference the Conductor Sizing Information on page 16). A two-man crew can install the Double Birdguard quickly once fully assembled.



Cat No.	Insulator Class
Long Horizontal Birdguard System	
27034	57-21, 22, 23, 24, 25, 26, 31, 32, 33, 34, 35, 36
Short Horizontal Birdguard System	
27027	57-21, 22, 23, 24, 25, 26, 31, 32, 33, 34, 35, 36

CONDUCTOR SIZING INFORMATION FOR LINE/INSULATOR PROTECTION

BirdguardD products have been designed to fit a wide range of conductor sizes and types. **However, to insure proper fit, the ends of both arms must be trimmed to fit the conductor.** A hacksaw, battery powered saw, or band saw can be used to trim the arms.

For use with part numbers: 21909, 21910, 27005, 27012, 27017, 27026, 27027, 27029, 27035, 27040, 27041, 27051, 27053, 27059, 27062, 27070, 27075, 27086



1 - NO TRIMMING REQUIRED - Max. Cable Diameter: .410 In.

Conductor Size/Strand	Type	Code Name
#6 (6Al. / 1St.)	ACSR	Turkey
#4 (6Al. / 1St.)	ACSR	Swan
#4 (7Al. / 1St.)	ACSR	Swanate
#2 (6Al. / 1St.)	ACSR	Sparrow
#2 (7Al. / 1St.)	ACSR	Sparate
#1 (6Al. / 1St.)	ACSR	Robin
30.5 (7Al.)	AAAC	Akron
48.6 (7Al.)	AAAC	Alton
77.4 (7Al.)	AAAC	Ames
123 (7Al.)	AAAC	Azuza

2 - TRIM OFF THE 1ST SECTION - Max. Cable Diameter: .775 In.

Conductor Size/Strand	Type	Code Name
#1/0	T-2	
#2/0	T-2	
#3/0	T-2	
#4/0	T-2	
#1/0 (6Al. / 1St.)	ACSR	Raven
#2/0 (6Al. / 1St.)	ACSR	Quail
#3/0 (6Al. / 1St.)	ACSR	Pigeon
#4/0 (6Al. / 1St.)	ACSR	Penguin
155 (7Al.)	AAAC	Anaheim
195 (7Al.)	AAAC	Amherst
226 (18Al. / 1St.)	ACSR	Waxwing
226 (6Al. / 7St.)	ACSR	Owl
226 (26Al. / 7St.)	ACSR	Partridge
246 (7Al.)	AAAC	Alliance
312 (19Al.)	AAAC	Butte
336 (18Al. / 1St.)	ACSR	Merlin
336 (26Al. / 7St.)	ACSR	Linnet
336 (30Al. / 7St.)	ACSR	Oriole
394 (19Al.)	AAAC	Canton

3 - TRIM OFF 1ST & 2ND SECTIONS - Max. Cable Diameter: 1.10 In.

Conductor Size/Strand	Type	Code Name
266.8	T-2	
336.2	T-2	
397 (18Al. / 1St.)	ACSR	Chickadee
397 (24Al. / 7St.)	ACSR	Brant
397 (26Al. / 7St.)	ACSR	Ibis
397 (30Al. / 7St.)	ACSR	Lark
465 (19Al.)	AAAC	Cairo
477 (18Al. / 1St.)	ACSR	Pelican
477 (24Al. / 7St.)	ACSR	Flicker
477 (26Al. / 7St.)	ACSR	Hawk
477 (30Al. / 7St.)	ACSR	Hen
556 (18Al. / 1St.)	ACSR	Osprey
556 (26Al. / 7t.)	ACSR	Dove
556 (30Al. / 7St.)	ACSR	Eagle
559 (19Al.)	AAAC	Darien
605 (24Al. / 7St.)	ACSR	Peacock
605 (26Al. / 7St.)	ACSR	Squab
605 (30Al. / 19St.)	ACSR	Teal
636 (36Al. / 1St.)	ACSR	Swift
636 (18Al. / 1St.)	ACSR	Kingbird
636 (24Al. / 7St.)	ACSR	Rook
636 (26Al. / 7St.)	ACSR	Grosbeak
652 (19Al.)	AAAC	Elgin
653 (18Al./3St.)	ACSR	

4 - TRIM OFF ALL SECTIONS - Max. Cable Diameter: 1.34 In.

Conductor Size/Strand	Type	Code Name
397.5	T-2	
477.0	T-2	
556.5	T-2	
636.0	T-2	
795.0	T-2	
666 (24Al. / 7St.)	ACSR	Flamingo
666 (26Al. / 7St.)	ACSR	Gannet
715 (26Al. / 7St.)	ACSR	Starling
715 (30Al. / 19St.)	ACSR	Redwing
740 (37Al.)	AAAC	Flint
795 (36Al. / 1St.)	ACSR	Coot
795 (45Al. / 7St.)	ACSR	Tern
795 (24Al. / 7St.)	ACSR	Cuckoo
795 (54Al. / 7St.)	ACSR	Condor
795 (26Al. / 7St.)	ACSR	Drake
795 (30Al. / 19St.)	ACSR	Mallard
900 (45Al. / 7St.)	ACSR	Ruddy
900 (54Al. / 7St.)	ACSR	Canary
927 (37Al.)	AAAC	Greeley

TRIANGLE ANTI-PERCH

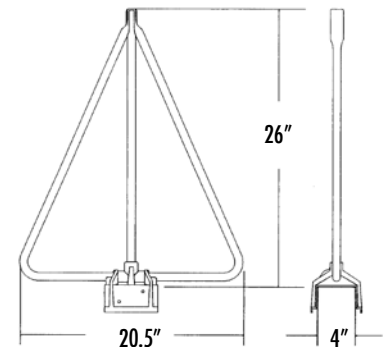
The **Triangle Anti-Perch and Swing Plate Triangle Anti-Perch** are designed to discourage raptors from perching on crossarms, risking electrocution by phase to phase or phase to ground contact. The unique “third leg” is designed to discourage smaller raptors, such as hawks, from attempting to perch inside the Triangle. Lag bolts are provided for installation with the 21907, 27014, and 27039.



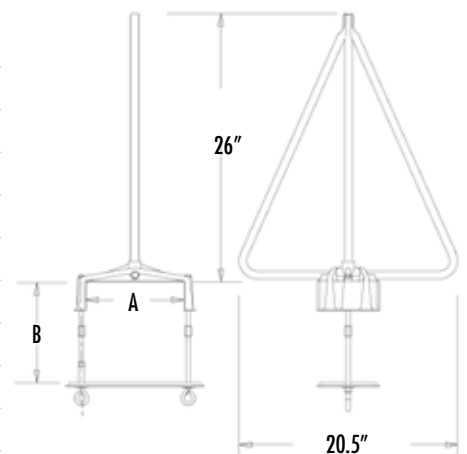
The swing plate allows the Triangle to easily swivel under the crossarm for easy installation and a tight secure fit. There are no springs or other moving parts to wear out and these products are available to fit a wide variety of crossarm sizes.

Cat No.	Coverage Width inches	Nominal Crossarm inches	Height inches
Triangle Anti-Perch			
21907	20.5"	4"	26"
27014	18.5"	4"	26"
27039	20.5"	5"	26"

Flat Plate Triangle Anti-Perch			
27065	20.5" (520.7)		26"



Cat No.	A Nominal Crossarm (see diagram) inches	B (see diagram) inches	Coverage Width inches	Height
Swing Plate Triangle				
27013	4	4.75	20.5"	26"
27025	4.75	5.75	20.5"	26"
27038	6	6	20.5"	26"
27061	10	10	20.5"	26"
27067	6	3.75	20.5"	26"
27071	6	7.75	20.5"	26"
27072	4	6	20.5"	26"
27073	6	6	20.5"	26"
27079	8	8	20.5"	26"
27080	4	8	20.5"	26"
27081	4	4.75	20.5"	26"



ANTI-PERCH

Anti-Perch Device

The “Perch Discourager” is an Anti-Perch Device designed to keep larger raptors from perching upon distribution structures. It may be field modified to shorter lengths, and is attached with utility-supplied bolts or strapping.



27055

Cat No.	Description
27055	Anti-Perch Device, 8 feet
27089	Anti-Perch Device - 4 feet

WOOD AND STEEL POLE CAPS

The **Wood Pole Cap** is designed for installation on an overhead conductor wood pole. It used to discourage birds from perching on the pole tops and eliminating the simultaneous contact of the energized overhead conductor and the grounded hardware on the ridge pin support.



The **Steel Pole Cap** is designed to discourage birds from perching on steel structures and causing an outage. They are available to fit steel poles from all manufacturers, sized by the outer diameter of the pole top. Equally effective on armless and tangent construction, the steel pole cap is held securely in place by the ridge pin assembly or self-tapping sheet metal screws.



Cat No.	Diameter in. (mm)
Wood Pole Cap	
21906	8.0 (203.2)
27049	5.25 (133.35)
27110	13 (330.2)

Steel Pole Cap	
27008	6.31 (160.274)
27010	6.0 (152.4)
27018	7.10 (180.34)
27019	6.60 (167.64)
27033	6.70 (170.18)
27042	5.125 (130.175)
27054	5.25 (133.35)
27076	5.5 (139.7)
27077	8.7 (221)
27078	9.5 (241.3)

21906



27008



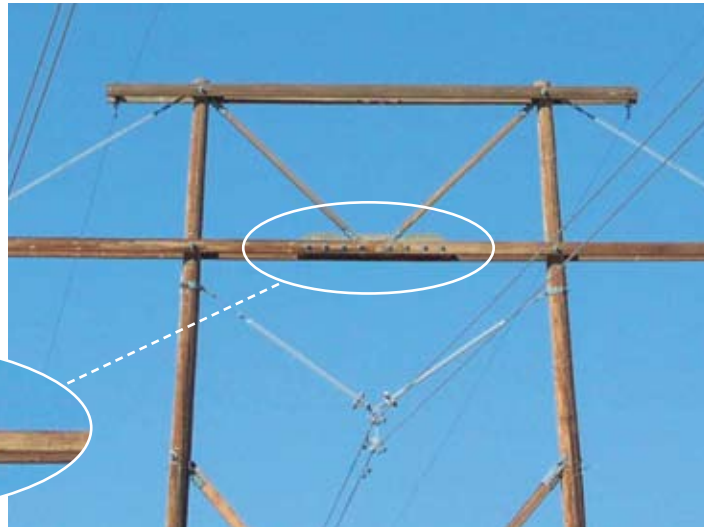
ANTI-NESTING DEVICES

The **Nesting Material Deflector** is made to accommodate double arm assemblies from 6 to 10 feet in length where large raptors build nests. These nests can create several problems, including the potential for fires and outages. The deflector can be installed above the double arm structure with double arm bolts. This product will deflect the dropped nesting materials away from the arms and overhead jumpers.



27048

The **Nest Knot** is designed to prevent large birds from nesting above insulators and conductors on H-Frames by blocking the accumulation of nesting materials on the cross arms. This helps to prevent outages, as well as structure fires.



27069

Cat No.	Description
27048	Nesting Material Deflector
27069	Nest Knot

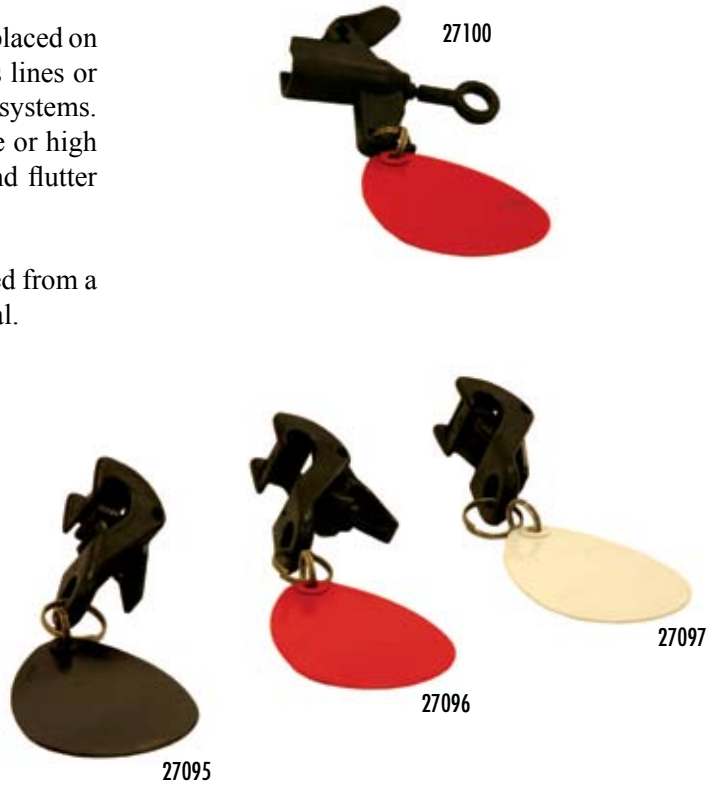
BIRD FLAPPER

Bird Flappers are designed to help flying birds divert lines. The suggested spacing is every 15 feet, alternating the red, white, and black colors, which compensates for varying light levels.

Bird flappers are suggested to be placed on the “high static” of transmission lines or on all three phases of distribution systems. They are suspended from the line or high static (on a transmission line) and flutter in the breeze.

The bird flappers are manufactured from a UV stabilized polycarbon material.

Manufactured in South Africa.



Cat No.	Description
27095	Black Bird Flapper
27096	Red Bird Flapper
27097	White Bird Flapper
27098	Luminescent Bird Flapper
27099	Black Bird Flapper, Hot Stick
27100	Red Bird Flapper, Hot Stick
27101	White Bird Flapper, Hot Stick
27102	Luminescent Bird Flapper, Hot Stick

SPECIALTY ITEMS

Dead End Shoe Covers

Dead ends (both single and double) have been the location of many animal caused outages. The Dead End Shoe Cover is a shotgun installed cover to fit over the dead end shoe and hot line clamp. This helps utilities reduce the number of outages caused by nesting material and animals. Field modification will allow the cover to be used with over arm jumpers, which can be covered with jumper cover material, creating an animal friendly structure.



27037

Insulator Protector

Salisbury offers insulator protectors for overarm jumpers for both ANSI F-Neck and C-Neck.

27026



Specialty Covers

Salisbury offers numerous specialty covers such as the Terminator cover and Shunt Fuse cover.

Cat No.	Description
Dead End Shoe Covers	
27026	Polymer Dead End Shoe Cover
Insulator Protector for Overarm Jumper	
27037	F Neck Feed Through
27045	C Neck Feed Through
Specialty Covers	
27063	Terminator Cover
27066	Shunt Fuse Cover
27074	Vertical Barrier Switch Plate Cover
Installation Tool	
27074	Installation Tool, Steel

FIBER OPTIC PROTECTION PRODUCTS

There are several types of **Fiber Optic Protection Products** can be installed when new cables go up, or as a retrofit to keep the fibers safe from damage.

The damage is caused by buzzards and other carrion-eating birds. The perching and resting behavior of these large birds brings them into frequent contact with both transmission and distribution structures in electric utility systems. Above ground fiber optic cables (Optical Ground Wire and All-Dielectric Self Supporting) can be compromised when highly acidic buzzard excrement starts corrosion on the rods. Rods are used to protect these cables at points of contact (such as dead end assemblies, single and double suspension clamps). This corrosion erodes the rods, and as the corrosion moves into the clamp areas, the corrosion expands down into the cable, turning the fibers dark, resulting in downtime and very expensive replacement of the cable.



Cat No.	Description
27068	Fiber Optic Cover, Tangent
27082	Fiber Optic Cover, Dead End
27083	Yoke Plate Fiber Optic Cover
27047	Above Ground Fiber Optic Cover, Davit Tangent

SALISBURY-KADDAS CROSS REFERENCE

Salisbury Part No.	KADDAS Part No.	Color	Unit	Std. Pkg. Qty.	Pkg Wt. (lbs)	Item Description
21899	KE1068B	GR	EA	50	25	Fusible Switch Cap, ABB, Chance, Cooper
21900	KE1065B	GR	EA	50	9	Fusible Switch Cap, S & C
21901	KE1077R	GR	EA	50	11	Transformer Bushing Cap
21902	KE1053	GR	EA	50	10	Polymer Arrester Cap
21903	KE1066-3	GR	EA	50	9	Cap Ceramic Arrester
21904	KE1084	GR	EA	50	10	Polymer Arrester Cap, Flipper Fuse
21905	KE1079	GR	EA	25	29	Loadbreak Switch Cap, Chance
21906	KE1058	BR	EA	50	19	Wooden Pole Cap, Large
21907	KE1054A	BR	EA	12	33	Triangle 20.5" Base
21908	KE1093-003	GR	EA	50	19	Poly Arrester, Pri Tap Cover with Clip
21909	KE1045-AF	BR	EA	5	11	3 Piece Birdguard
21910	KE1045-AC	BR	EA	5	10	3 Piece Birdguard
27001	KE1077A	GR	EA	50	14	Transformer Bushing Cap
27002	KE1118	GR	EA	50	7	Arrester Bolt Cover
27003	KE1117	GR	EA	50	10	Flipper Fuse Arrester Cover
27004	KE1125	GR	EA	50	37	Cover, Fuse Cutout
27005	KE1088-003	BR	EA	5	11	F Neck Dual Purpose Birdguard Center
27006	KE1128	GR	EA	50	12	Cer. Arrester & FF Cover
27007	KE1064	GR	EA	50	20	Transformer Bushing Cap
27008	KE1052-63	GR	EA	50	20	Steel Pole Cap 6.31" Dia.
27009	KE1122	GR	EA	50	11	Polymer Arrester/FF Cover, Joslyn ZHP
27010	KE1052-60	GR	EA	50	19	Steel Pole Cap 6.00" Dia.
27011	KE1104	GR	EA	50	12	Polymer Arrester Cover, DBL. Barrel
27012	KE1039-C	BR	EA	5	17	LP Snap Fit "C" Neck
27013	KE1073-005	BR	EA	8	25	Swing Away Triangle 4 X 4 3/4
27014	KE1054B	BR	EA	12	33	Triangle 18.5" Base
27015	KE1077RCSP	GR	EA	50	11	Transformer Bushing Cap
27016	KE1101	BR	EA	30	10	Ext. for KE 1045, 1049, and 1089 Series
27017	KE1039-F	BR	EA	10	12	LP Snap Fit "F" Neck
27018	KE1052-71	GR	EA	50	22	Steel Pole Cap 7.10" Dia
27019	KE1052-66	GR	EA	50	21	Steel Pole Cap 6.60" Dia
27020	KE1077ACSP	GR	EA	50	14	Transformer Bushing Cap
27021	KE1045A-001	BR	EA	10	9	Arms for (21910,57041,27005,27070)
27022	KE1099	GR	EA	50	20	200 A. S&C Cover (100 A. Current ABB)
27023	KE1127	GR	EA	30	35	Bus Bar Cover Assembly
27024	KE1135	GR	EA	50	12	Cer. Arrester & FF Cover
27025	KE1110	BR	EA	10	22	Swing Away Triangle, 4.75 X 5.75
27026	KE1113	GR	EA	30	20	Polymer Dead End Shoe Cover
27027	KE1121	GR	EA	5	10	Short Horizontal Birdguard
27028	KE1083	GR	EA	50	20	Fusible Switch Cap, Old S&C
27029	KE1049-F	BR	EA	5	13	Double 3 Piece Birdguard
27030	KE1066-5	GR	EA	50	9	Double Barrel, Ceramic Arrester Cover
27031	KE1086	GR	EA	50	20	Switch Cover, Kearny HX, Short
27032	KE1090-001	GR	EA	50	28	Cover, Inter. Arrester
27033	KE1052-67	GR	EA	50	22	Steel Pole Cap 6.70" Dia
27034	KE1048-001	BR	EA	20	26	Horizontal Birdguard
27035	KE1039-JK	BR	EA	5	12	LP Snap Fit "J/K" Neck
27036	KE1102	GR	EA	50	22	Old Style ABB/NCX Switch Cover
27037	KE1126	GR	EA	50	15	F-Neck Feed Through
27038	KE1061-003	BR	EA	8	12	Swing Away Triangle 6 X 6
27039	KE1130	BR	EA	10	15	Triangle Anti-Prch 20.5 Base
27040	KE1045-AJK	BR	EA	5	10	3 Piece Birdguard
27041	KE1049-C	BR	EA	5	10	Double 3 Piece Birdguard
27042	KE1052-51	GR	EA	50	19	Steel Pole Cap 5.125" Dia
27043	KE1092-001	GR	EA	25	11	Cap, Arrester Primary Tap
27044	KE1094	GR	EA	50	22	Switch Cap, PLH
27045	KE1132	GR	EA	50	15	C-Neck Feed Through
27046	KE1111	GR	EA	10	31	Bus and Insulator Cover
27047	KE1171	GR	EA	30	35	F O Cover, Davit Tangent
27048	KE1087	BR	EA	3	33	Deflector, Nesting Material
27049	KE1067	BR	EA	50	2	Wooden Pole Cap, Small
27050	KE1105	BR	EA	5	20	Extended DA, DG F Neck, Center Only
27051	KE1131C	BR	EA	5	13	7 Degree Angle DADG 3-P Birdguard
27052	KE1081	GR	EA	30	30	"U Bolt" Deadend Fiber OP. Cover
27053	KE1049-JK	BR	EA	5	19	Double 3 Piece Birdguard
27054	KE1052-52	GR	EA	50	19	Steel Pole Cap 5.25" Dia.
27055	KE1108	BR	EA	50	70	8 ft Anti Perch Device
27056	KE1114	GR	EA	50	12	18KV Polmer Arrester Cover
27057	KE1124	GR	EA	50	10	Arrester Cap, Vaistar

Salisbury Part No.	KADDAS Part No.	Color	Unit	Std. Pkg. Qty.	Pkg Wt. (lbs)	Item Description
27058	KE1133	GR	EA	50	25	Cover, Fuse Cutout, Lorenzetti
27059	KE1134	BR	EA	5	13	DADG Insulator covr, RT,
27060	KE1115	GR	EA	25	12	25KV Recloser Bushing Cover
27061	KE1069	BR	EA	1	2	Swing Away Triangle 10 X 10
27062	KE1045-AN	BR	EA	5	41	3 Piece Birdguard
27063	KE1100	GR	EA	50	3	Terminator cover
27064	KE1109	GR	EA	50	13	15KV Recloser Bushing Cover
27065	KE1112	BR	EA	15	18	Flat Plate Triangle Anti Perch
27066	KE1091	GR	EA	6	14	Shunt Fuse Cover
27067	KE1061-005	BR	EA	8	15	Swing Away Triangle 6 X 3.75
27068	KE1071	GR	EA	10	21	Fiber Optic Cover, Tangent
27069	KE1046	BR	EA	5	13	Nest Not
27070	KE1089-F	BR	EA	5	13	Dbl 3 Piece Birdguard, Angled 15 Degree
27071	KE1061-007	BR	EA	5	9	Swing Away Triangle 6 X 7 3/4
27072	KE1073-009	BR	EA	8	25	Swing Away Triangle 4 X 6
27073	KE1061	BR	EA	8	12	Swing Away Triangle 6 X 6
27074	KE1075		EA	1	1	Installation Tool, Steel
27075	KE1049-N	BR	EA	5	14	Dbl 3 Piece Birdguard, Angled 15 Degree
27076	KE1052-55	GR	EA	50	14	Cap, Stl Pole 5.5" Dia.
27077	KE1052-87	GR	EA	50	20	Steel Pole Cap
27078	KE1052-95	GR	EA	50	20	Steel Pole Cap
27079	KE1062	BR	EA	1	5	Swing Away Triangle 8 X 8
27080	KE1073-001	BR	EA	8	25	Swing Away Triangle 4 X 8
27081	KE1073-007	BR	EA	5	25	Swing Away Triangle 4 X 4.75 SS
27082	KE1076	GR	EA	1	2	Fiber Optic Cover, Dead End
27083	KE1082	GR	EA	15	36	Yoke Plate Fiber Optic Cover
27084	KE1085	GR	EA	15	32	Vertical Switch Cover
27085	KE1086-001	GR	EA	50	20	Switch Cover, Kearny HX, Long
27086	KE1089-C	BR	EA	15	14	Dbl 3 Piece Birdguard, Angled 15 Degree
27087	KE1090	GR	EA	50	25	Int. Station Arrester Cap
27088	KE1092	GR	EA	50	19	Poly. Arrester, PRI, Tap cover
27089	KE1108-001	BR	EA	50	70	4 ft Anti Perch Device
27090	KE1116	GR	EA	1	2	3 pc Assembly for Clevis Mount Fiber Optic
27091	KE1119	GR	EA	50	20	QC Air-Gap Arrester Cover
27092	KE1120	GR	EA	30	13	Davit Arm Cover
27093	KE1123	GR	EA	1	8	Transformer Bushing Cover
27094	KE1129	GR	EA	1	2	Poly Arrester Cover, PDV-65
27095	FB 0515B		EA	50	10	Black Bird Flapper
27096	FB 0515R		EA	50	10	Red Bird Flapper
27097	FB 0515W		EA	50	10	White Bird Flapper
27098	FB 0515L		EA	50	10	Luminescent Bird Flapper
27099	LSFB 0416B		EA	30	8	Black Bird Flapper, Hot Stick
27100	LSFB 0416R		EA	30	8	Red Bird Flapper, Hot Stick
27101	LSFB 0416W		EA	30	8	White Bird Flapper, Hot Stick
27102	LSFB 0416L		EA	30	8	Luminescent Bird Flapper, Hot Stick
27103	KE1077R	BR	EA	50	11	Transformer Bushing Cap
27104	KE1065B	BR	EA	50	9	Fusible Switch Cap, S & C
27105	KE1137	GR	EA	50	9	Polymer Vari-Gap 10 KV Arrester Cover
27126	KE1045A-006	BR	EA	5	9	Center Only 6" bell
27110	KE1140	BR	EA			13" Wooden Pole Cap
27111	KE1139	BR	EA	50	20	Old Style 100 Amp S & C Switch Cover
27112	KE1139	GR	EA	50	20	Old Style 100 Amp S & C Switch Cover
27113	KE1079	BR	EA	25	29	Loadbreak Switch Cap, Chance
27114	KE1053	BR	EA	50	10	Polymer Arrester Cap
27115	KE1045A-008	BR	EA	5		8" Center Only for 21909
27116	KE1045A-011	BR	EA	5		11" Center Only for 27040
27117	KE1049-006	BR	EA	5		6" Center Only for DADG 27041
27118	KE1049-008	BR	EA	5		8" Center Only for DADG 27029
27119	KE1049-011	BR	EA	5		11" Center Only for DADG 27053
27120	KE1089-006	BR	EA	5		6" Center Only for DADG 15 deg 27086
27121	KE1089-008	BR	EA	5		8" Center Only for DADG 15 deg 27070
27122	KE1131-006	BR	EA	5		6" Center Only for DADG 7 deg 27051
27123	KE1048-005	BR	EA	5		Arm only for 27034
27124	KE1048-003A	BR	EA	5		Center only for 27034
27125	KE1121	BR	EA	5		Short Horizontal Birdguard
27126	KE1045A-006	BR	EA	5		6" Center Only for 21910
27127	KE1048-001	GR	EA	20		Horizontal Birdguard
27128	KE1068B	BR	EA	50		Fusible Switch Cap, ABB, Chance, Cooper
27129	KE1126	BR	EA	50		F-Neck Feed Through
27130	KE1132	BR	EA	50		C-Neck Feed Through

KADDAS-SALISBURY CROSS REFERENCE

KADDAS Part No.	Salisbury Part No.	Color	Unit	Std. Pkg. Qty.	Pkg Wt. (lbs)	Item Description
KE1039-C	27012	BR	EA	5	17	LP Snap Fit "C" Neck
KE1039-F	27017	BR	EA	10	12	LP Snap Fit "F" Neck
KE1039-JK	27035	BR	EA	5	12	LP Snap Fit "J/K" Neck
KE1045A-001	27021	BR	EA	10	9	Arms for (21910,57041,27005,27070)
KE1045A-006	27126	BR	EA	5	9	Center Only 6" bell
KE1045A-008	27115	BR	EA	5		Center Only 8" bell
KE1045A-011	27116	BR	EA	5		Center Only 11" bell
KE1045-AC	21910	BR	EA	5	10	3 Piece Birdguard
KE1045-AF	21909	BR	EA	5	11	3 Piece Birdguard
KE1045-AJK	27040	BR	EA	5	10	3 Piece Birdguard
KE1045-AN	27062	BR	EA	5	41	3 Piece Birdguard
KE1046	27069	BR	EA	5	13	Nest Not
KE1048-001	27034	BR	EA	20	26	Horizontal Birdguard
KE1048-001	27127	GR	EA	20	26	Horizontal Birdguard
KE1048-003	27124	BR	EA	5		Center Only for KE1048-001
KE1048-005	27123	BR	EA	5		Arm for KE1048-001
KE1049-006	27117	BR	EA	5		6" Center Only DADG
KE1049-008	27118	BR	EA	5		8" Center Only DADG
KE1049-011	27119	BR	EA	5		11" Center Only DADG
KE1049-C	27041	BR	EA	5	10	Double 3 Piece Birdguard
KE1049-F	27029	BR	EA	5	13	Double 3 Piece Birdguard
KE1049-JK	27053	BR	EA	5	19	Double 3 Piece Birdguard
KE1049-N	27075	BR	EA	5	14	Dbl 3 Piece Birdguard, Angled 15 Degree
KE1052-51	27042	GR	EA	50	19	Steel Pole Cap 5.125" Dia
KE1052-52	27054	GR	EA	50	19	Steel Pole Cap 5.25" Dia.
KE1052-55	27076	GR	EA	50	14	Cap, Stl Pole 5.5" Dia.
KE1052-60	27010	GR	EA	50	19	Steel Pole Cap 6.00" Dia.
KE1052-63	27008	GR	EA	50	20	Steel Pole Cap 6.31" Dia.
KE1052-66	27019	GR	EA	50	21	Steel Pole Cap 6.60" Dia
KE1052-67	27033	GR	EA	50	22	Steel Pole Cap 6.70" Dia
KE1052-71	27018	GR	EA	50	22	Steel Pole Cap 7.10" Dia
KE1052-87	27077	GR	EA	50	20	Steel Pole Cap
KE1052-95	27078	GR	EA	50	20	Steel Pole Cap
KE1053	21902	GR	EA	50	10	Polymer Arrester Cap
KE1053	27114	BR	EA	50	10	Polymer Arrester Cap
KE1054A	21907	BR	EA	12	33	Triangle 20.5" Base
KE1054B	27014	BR	EA	12	33	Triangle 18.5" Base
KE1058	21906	BR	EA	50	19	Wooden Pole Cap, Large
KE1061	27073	BR	EA	8	12	Swing Away Triangle 6 X 6
KE1061-003	27038	BR	EA	8	12	Swing Away Triangle 6 X 6
KE1061-005	27067	BR	EA	8	15	Swing Away Triangle 6 X 3.75
KE1061-007	27071	BR	EA	5	9	Swing Away Triangle 6 X 7 3/4
KE1062	27079	BR	EA	1	5	Swing Away Triangle 8 X 8
KE1064	27007	GR	EA	50	20	Transformer Bushing Cap
KE1065B	21900	GR	EA	50	9	Fusible Switch Cap, S & C
KE1065B	27104	BR	EA	50	9	Fusible Switch Cap, S & C
KE1066-3	21903	GR	EA	50	9	Cap Ceramic Arrester
KE1066-5	27030	GR	EA	50	9	Double Barrel, Ceramic Arrester Cover
KE1067	27049	BR	EA	50	2	Wooden Pole Cap, Small
KE1068B	27128	BR	EA	50	25	Fusible Switch Cap, ABB, Chance, Cooper
KE1068B	21899	GR	EA	50	25	Fusible Switch Cap, ABB, Chance, Cooper
KE1069	27061	BR	EA	1	2	Swing Away Triangle 10 X 10
KE1071	27068	GR	EA	10	21	Fiber Optic Cover, Tangent
KE1073-001	27080	BR	EA	8	25	Swing Away Triangle 4 X 8
KE1073-005	27013	BR	EA	8	25	Swing Away Triangle 4 X 4 3/4
KE1073-007	27081	BR	EA	5	25	Swing Away Triangle 4 X 4.75 SS
KE1073-009	27072	BR	EA	8	25	Swing Away Triangle 4 X 6
KE1075	27074		EA	1	1	Installation Tool, Steel
KE1076	27082	GR	EA	1	2	Fiber Optic Cover, Dead End
KE1077A	27001	GR	EA	50	14	Transformer Bushing Cap
KE1077ACSP	27020	GR	EA	50	14	Transformer Bushing Cap
KE1077R	21901	GR	EA	50	11	Transformer Bushing Cap
KE1077R	27103	BR	EA	50	11	Transformer Bushing Cap
KE1077RCSP	27015	GR	EA	50	11	Transformer Bushing Cap
KE1079	21905	GR	EA	25	29	Loadbreak Switch Cap, Chance
KE1079	27113	BR	EA	25	29	Loadbreak Switch Cap, Chance
KE1081	27052	GR	EA	30	30	"U Bolt" Deadend Fiber OP. Cover
KE1082	27083	GR	EA	15	36	Yoke Plate Fiber Optic Cover
KE1083	27028	GR	EA	50	20	Fusible Switch Cap, Old S&C

KADDAS Part No.	Salisbury Part No.	Color	Unit	Std. Pkg. Qty.	Pkg Wt. (lbs)	Item Description
KE1084	21904	GR	EA	50	10	Polymer Arrester Cap, Flipper Fuse
KE1085	27084	GR	EA	15	32	Vertical Switch Cover
KE1086	27031	GR	EA	50	20	Switch Cover, Kearny HX, Short
KE1086-001	27085	GR	EA	50	20	Switch Cover, Kearny HX, Long
KE1087	27048	BR	EA	3	33	Deflector, Nesting Material
KE1088-003	27005	BR	EA	5	11	F Neck Dual Purpose Birdguard Center
KE1089-006	27120	BR	EA	15		6" Center Only 15 deg DADG
KE1089-008	27121	BR	EA	5		8" Center Only 15 deg DADG
KE1089-C	27086	BR	EA	15	14	Dbl 3 Piece Birdguard, Angled 15 Degree
KE1089-F	27070	BR	EA	5	13	Dbl 3 Piece Birdguard, Angled 15 Degree
KE1090	27087	GR	EA	50	25	Int. Station Arrester Cap
KE1090-001	27032	GR	EA	50	28	Cover, Inter. Arrester
KE1091	27066	GR	EA	6	14	Shunt Fuse Cover
KE1092	27088	GR	EA	50	19	Poly. Arrester, PRI, Tap cover
KE1092-001	27043	GR	EA	25	11	Cap, Arrestor Primary Tap
KE1093-003	21908	GR	EA	50	19	Poly Arrester, Pri Tap Cover with Clip
KE1094	27044	GR	EA	50	22	Switch Cap, PLH
KE1099	27022	GR	EA	50	20	200 A. S&C Cover (100 A. Current ABB)
KE1100	27063	GR	EA	50	3	Terminator cover
KE1101	27016	BR	EA	30	10	Ext. for KE 1045, 1049, and 1089 Series
KE1102	27036	GR	EA	50	22	Old Style ABB/NCX Switch Cover
KE1104	27011	GR	EA	50	12	Polymer Arrester Cover, DBL. Barrel
KE1105	27050	BR	EA	5	20	Extended DA, DG F Neck, Center Only
KE1108	27055	BR	EA	50	70	8 ft Anti Perch Device
KE1108-001	27089	BR	EA	50	70	4 ft Anti Perch Device
KE1109	27064	GR	EA	50	13	15KV Recloser Bushing Cover
KE1110	27025	BR	EA	10	22	Swing Away Triangle, 4.75 X 5.75
KE1111	27046	GR	EA	10	31	Bus and Insulator Cover
KE1112	27065	BR	EA	15	18	Flat Plate Triangle Anti Perch
KE1113	27026	GR	EA	30	20	Polymer Dead End Shoe Cover
KE1114	27056	GR	EA	50	12	18KV Polmer Arrester Cover
KE1115	27060	GR	EA	25	12	25KV Recloser Bushing Cover
KE1116	27090	GR	EA	1	2	3 pc Assembly for Clevis Mount Fiber Optic
KE1117	27003	GR	EA	50	10	Flipper Fuse Arrester Cover
KE1118	27002	GR	EA	50	7	Arrester Bolt Cover
KE1119	27091	GR	EA	50	20	QC Air-Gap Arrester Cover
KE1120	27092	GR	EA	30	13	Davit Arm Cover
KE1121	27125	BR	EA	5	10	Short Horizontal Birdguard
KE1121	27027	GR	EA	5	10	Short Horizontal Birdguard
KE1122	27009	GR	EA	50	11	Polymer Arrester/FF Cover, Joslyn ZHP
KE1123	27093	GR	EA	1	8	Transformer Bushing Cover
KE1124	27057	GR	EA	50	10	Arrester Cap, Vaistar
KE1125	27004	GR	EA	50	37	Cover, Fuse Cutout
KE1126	27129	BR	EA	50	15	F-Neck Feed Through
KE1126	27037	GR	EA	50	15	F-Neck Feed Through
KE1127	27023	GR	EA	30	35	Bus Bar Cover Assembly
KE1128	27006	GR	EA	50	12	Cer. Arrester & FF Cover
KE1129	27094	GR	EA	1	2	Poly Arrester Cover, PDV-65
KE1130	27039	BR	EA	10	15	Triangle Anti-Prch 20.5 Base
KE1131-006	27122	BR	EA	5		6" Center Only 7 deg DADG
KE1131C	27051	BR	EA	5	13	7 Degree Angle DADG 3-P Birdguard
KE1132	27130	BR	EA	50	15	C-Neck Feed Through
KE1132	27045	GR	EA	50	15	C-Neck Feed Through
KE1133	27058	GR	EA	50	25	Cover, Fuse Cutout, Lorenzetti
KE1134	27059	BR	EA	5	13	DADG Insulator covr, RT,
KE1135	27024	GR	EA	50	12	Cer. Arrester & FF Cover
KE1137	27105	GR	EA	50	9	Polymer Vari-Gap 10 KV Arrester Cover
KE1139	27111	BR	EA	50	20	Old Style 100 Amp S & C Switch Cover
KE1139	27112	GR	EA	50	20	Old Style 100 Amp S & C Switch Cover
KE1140	27110	BR	EA			13" Wooden Pole Cap
KE1171	27047	GR	EA	30	35	F O Cover, Davit Tangent
FB 0515B	27095		EA	50	10	Black Bird Flapper
FB 0515L	27098		EA	50	10	Luminescent Bird Flapper
FB 0515R	27096		EA	50	10	Red Bird Flapper
FB 0515W	27097		EA	50	10	White Bird Flapper
LSFB 0416B	27099		EA	30	8	Black Bird Flapper, Hot Stick
LSFB 0416L	27102		EA	30	8	Luminescent Bird Flapper, Hot Stick
LSFB 0416R	27100		EA	30	8	Red Bird Flapper, Hot Stick
LSFB 0416W	27101		EA	30	8	White Bird Flapper, Hot Stick

BRAND SPECIFIC FIT CHART

FOR INSULATOR PROTECTORS

Non-ANSI Brand Specific	27012	21910	27041	27086	27017	21909
Victor 62250						
Victor 62150						
Victor 43R	X	X	X			
Victor 42R					X	X
Victor 41R					X	X
Victor 40R					X	X
Victor 39R					X	X
Victor 35	X	X	X	X		
Victor 34 & 34 R	X	X	X	X		
Victor 2137	X	X	X	X		
Victor 2135	X	X	X	X		
Victor 2130	X	X	X	X		
Victor 2127	X	X	X	X		
Victor 2120	X	X	X	X		
Victor 2115	X	X	X	X	X	
Victor 2025	X	X	X	X		
Lapp 9982-70					X	X
Lapp 9978-70					X	X
Lapp 4766-70						
Lapp 4755-70						
Lapp 4745-70						
Lapp 4735-70						
Lapp 4725-70						
Lapp 4666-70						
Lapp 4655-70						
Lapp 4645-70						
Lapp 4635-70						
Lapp 4625-70						
Lapp 4435-70	X	X	X	X		
Lapp 4427-70	X	X	X	X		
Lapp 4415-70	X	X	X	X		
Lapp 4335-70, 4335C-70	X	X	X	X		
Lapp 4327-70, 4327C-70	X	X	X	X		
Lapp 4320-70, 4320C-70	X	X	X	X		
Lapp 4315-70, 4315C-70	X	X	X	X		

ANSI CLASS FIT CHART

FOR INSULATOR PROTECTORS

ANSI CLASS	27012	21910	27041	27086	27017	21909
57-3, 57-3L, 57-3S					X	X
57-4					X	X
57-2, 57-2L, 57-2S					X	X
57-5, 57-5L, 57-5S					X	X
57-11		X	X	X	X	
57-1, 57-1L, 57-1S	X	X				
56-3						
57-12					X	X
56-1					X	X
55-8						
55-7						
55-6					X	X
55-5					X	X
55-4	X	X	X	X		
55-3	X	X	X	X		
56-2						
57-26						
57-36						
57-25						
57-24						
57-23						
57-22						
57-21						
57-32						
57-16					X	X
57-13					X	X
55-2	X	X	X	X		
56-4						
57-33						
57-34						
57-35						
57-15					X	X
57-14					X	X
57-31						

BRAND SPECIFIC FIT CHART

FOR INSULATOR PROTECTORS

Non-ANSI Brand Specific	27029	27005	27070	27035	27040	27053	27034
Victor 62250							X
Victor 62150	X	X					
Victor 43R							
Victor 42R	X	X	X				
Victor 41R	X	X					
Victor 40R	X	X					
Victor 39R	X	X					
Victor 35							
Victor 34 & 34 R							
Victor 2137							
Victor 2135							
Victor 2130							
Victor 2127							
Victor 2120							
Victor 2115							
Victor 2025							
Lapp 9982-70	X	X	X		X		
Lapp 9978-70	X	X	X		X		
Lapp 4766-70							X
Lapp 4755-70							X
Lapp 4745-70							X
Lapp 4735-70							X
Lapp 4725-70							X
Lapp 4666-70							X
Lapp 4655-70							X
Lapp 4645-70							X
Lapp 4635-70							X
Lapp 4625-70							X
Lapp 4435-70							
Lapp 4427-70							
Lapp 4415-70							
Lapp 4335-70, 4335C-70							
Lapp 4327-70, 4327C-70							
Lapp 4320-70, 4320C-70							
Lapp 4315-70, 4315C-70							

ANSI CLASS FIT CHART FOR INSULATOR PROTECTORS

ANSI CLASS	27029	27005	27070	27035	27040	27053	27034
57-3, 57-3L, 57-3S	X	X	X				
57-4	X	X	X				
57-2, 57-2L, 57-2S	X	X	X				
57-5, 57-5L, 57-5S	X	X	X				
57-11		X					
57-1, 57-1L, 57-1S							
56-3				X	X	X	
57-12	X	X	X				
56-1	X	X	X				
55-8				X	X	X	
55-7							
55-6	X	X	X				
55-5	X	X	X				
55-4							
55-3							
56-2				X	X	X	
57-26							X
57-36							X
57-25							X
57-24							X
57-23							X
57-22							X
57-21							X
57-32							X
57-16	X	X	X				
57-13	X	X	X				
55-2							
56-4				X	X	X	
57-33							X
57-34							X
57-35							X
57-15	X	X	X				
57-14	X	X	X				
57-31							X



AUTHORIZED DISTRIBUTOR



SALISBURY
LINEMAN SAFETY PRODUCTS

SALISBURY

ISO 9001:2000 Registered

7520 North Long Avenue
Skokie, Illinois 60077
toll free phone: 877.406.4501
toll free fax: 866.824.4922
847.679.6700

whsalisbury.com